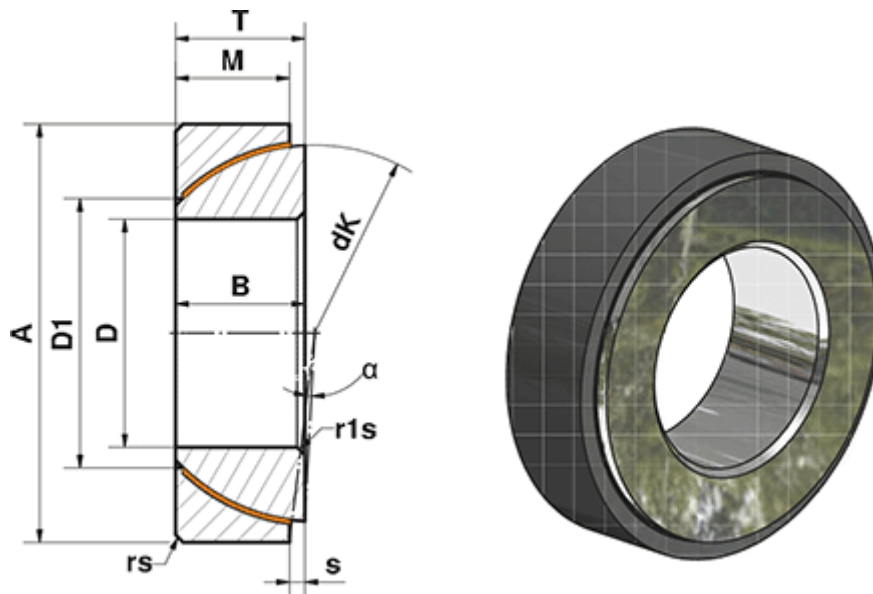


Article number: 03449110

Description: Fluro Heavy Duty Spherical Plain Bearing GE 110 SWE
Hole Ø110

Note: 110

Measures



A	= 170	rs, r1s min	= 2
a (degrees)	= 0.5	S	= 13
B	= 38	Static load C0 (kN)	= 1967
D	= 110	T	= 38
D1	= 126.5	Weight (g)	= 3680
dK	= 155		
Dynamic load C (kN)	= 1180		
M	= 34		